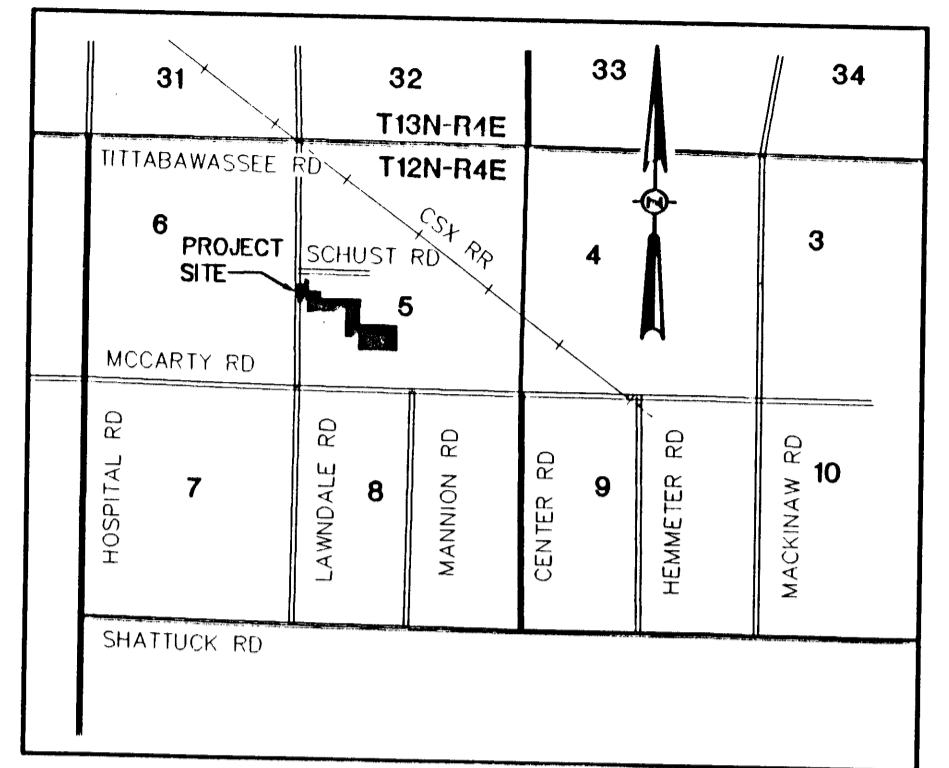


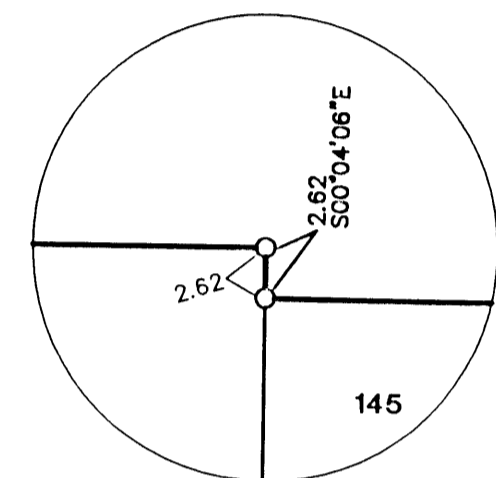
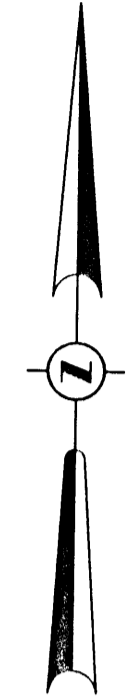
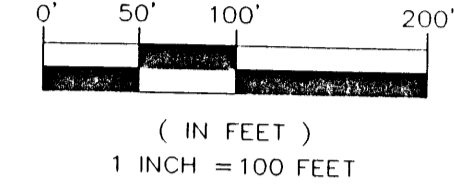
LAWNDALE FARMS NO. 2

PART OF THE SW 1/4 OF FRACTIONAL SECTION 5, T12N-R4E
SAGINAW CHARTER TOWNSHIP, SAGINAW COUNTY, MICHIGAN

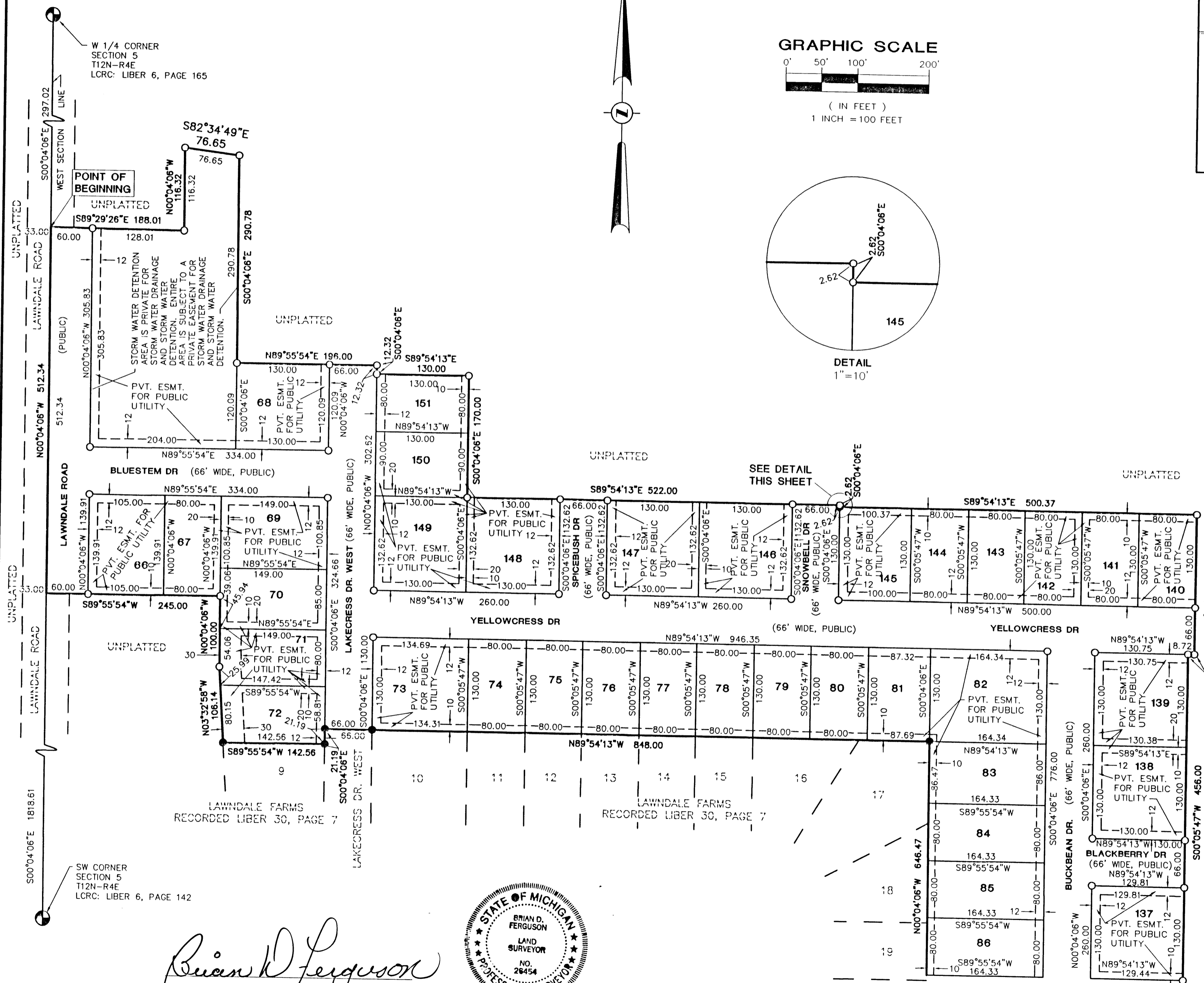


LOCATION MAP
(NO SCALE)

GRAPHIC SCALE



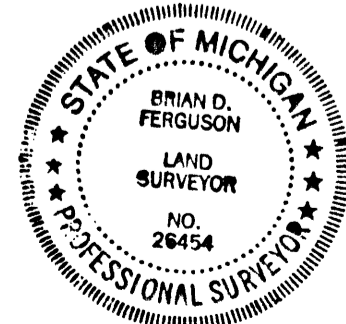
DETAIL
1"=10'



W 1/4 CORNER SECTION 5 T12N-R4E LCRC: LIBER 6, PAGE 165

SW CORNER SECTION 5 T12N-R4E LCRC: LIBER 6, PAGE 142

Brian D Ferguson
BRIAN D FERGUSON, PS #26454



MATCH LINE - SHEET 2

LEGEND

- ALL DIMENSIONS ARE IN FEET.
- MONUMENTS, CONSISTING OF STEEL RODS, ONE HALF INCH IN DIAMETER AND 36 INCHES IN LENGTH WITH CAP NO. 26454, ENCASED IN CONCRETE CYLINDERS, 4 INCHES IN DIAMETER AND 36 INCHES IN LENGTH, HAVE BEEN PLACED AT ALL POINTS SHOWN BY SYMBOL "O".
- SET 1/2 INCH STEEL ROD, 18 INCHES IN LENGTH WITH CAP NO. 26454, AT ALL LOT CORNERS.
- "●" INDICATES FOUND CONCRETE MONUMENT 4 INCHES IN DIAMETER WITH A 1/2 INCH STEEL ROD.
- ALL CURVILINEAR DIMENSIONS ARE ARC LENGTHS.
- (NR) INDICATES NON-RADIAL LINE, (R) INDICATES RADIAL LINE.
- BEARINGS AS SHOWN ARE REFERENCED TO THE RECORDED PLAT OF LAWNDALE FARMS AS RECORDED IN LIBER 30 OF PLATS, PAGE 7.