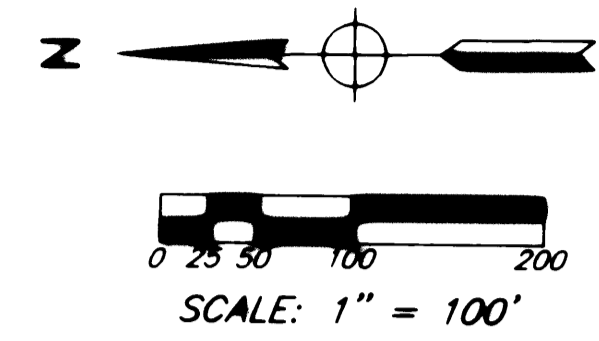
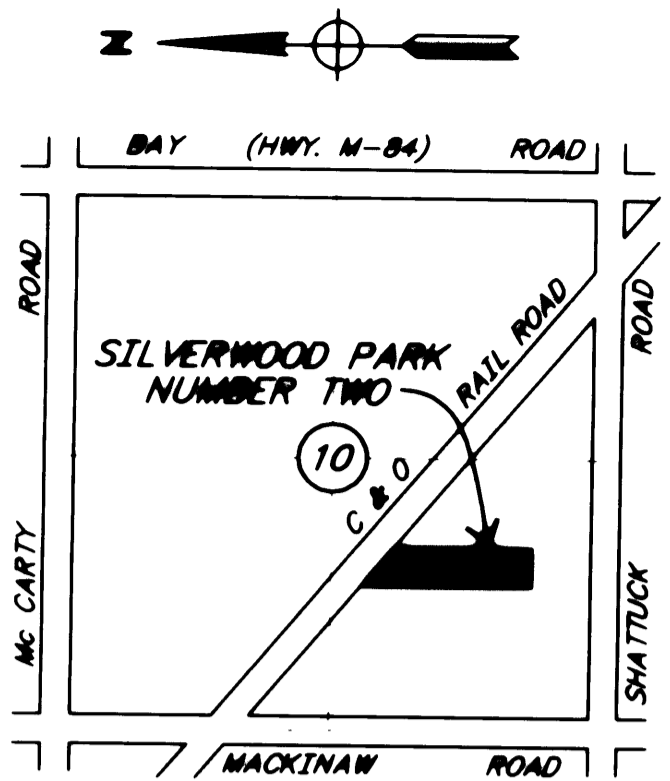


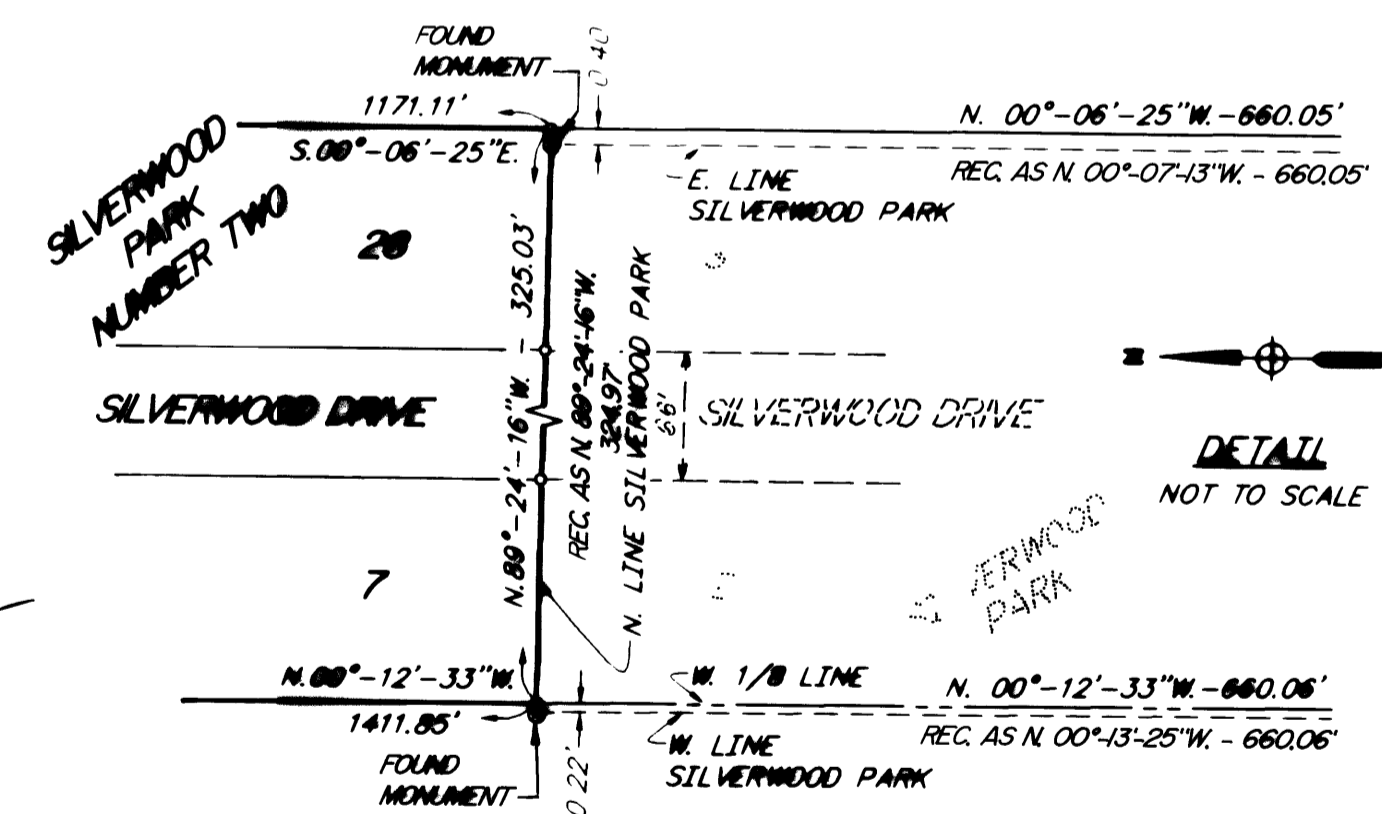
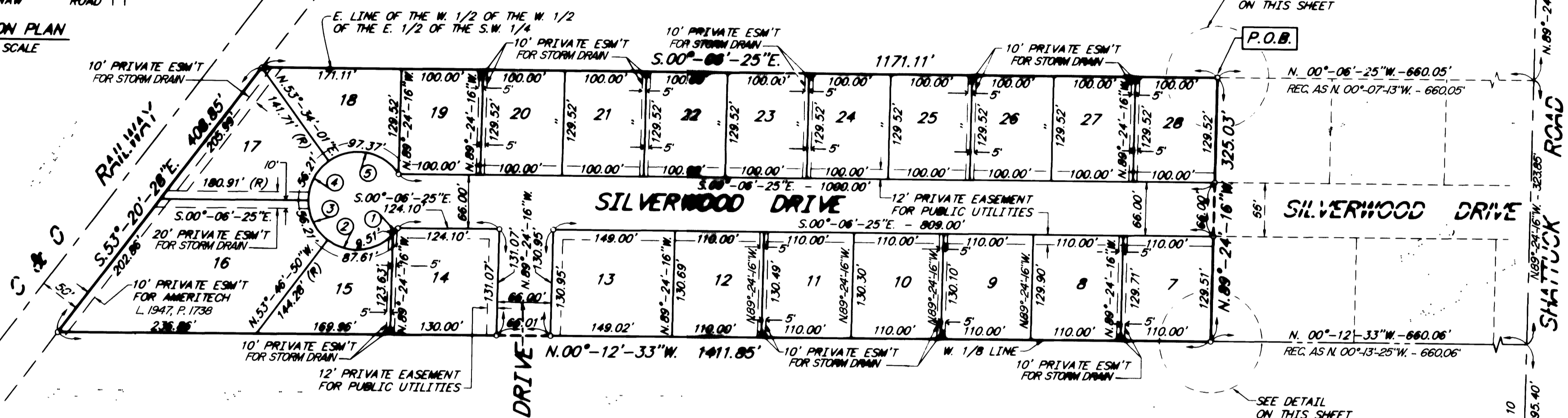
SILVERWOOD PARK NUMBER TWO

PART OF THE EAST 1/2 OF THE SOUTHWEST 1/4 OF SECTION 10, T.12 N.-R.4 E.,
SAGINAW TOWNSHIP, SAGINAW COUNTY, MICHIGAN



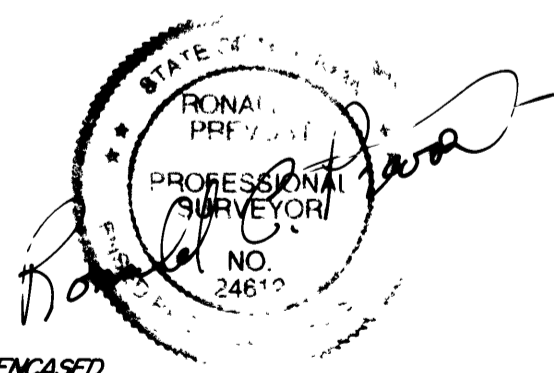
S. 1/4 CORNER SECTION 10 T.12 N.-R.4 E. LIBER 1, PAGE 265

LOCATION PLAN NOT TO SCALE



S.W. CORNER SECTION 10 T.12 N.-R.4 E. LIBER 5, PAGE 40

- LEGEND**
- 1-ALL DIMENSIONS ARE IN FEET.
 - 2-MONUMENTS CONSISTING OF STEEL RODS ONE HALF INCH IN DIAMETER AND 36 INCHES IN LENGTH WITH CAP NO. 24612, ENCASED IN CONCRETE CYLINDERS FOUR INCHES IN DIAMETER AND 36 INCHES IN LENGTH, HAVE BEEN PLACED AT ALL POINTS MARKED "o"
 - 3-SET 3/4 INCH STEEL PIPE BY 18 INCHES IN LENGTH WITH CAP NO. 24612 AT ALL LOT CORNERS.
 - 4-BEARINGS ARE TAKEN FROM SILVERWOOD PARK AS RECORDED IN LIBER 23, PAGE 28 & 29.
 - 5-ALL CURVILINEAR MEASUREMENTS ARE ARC DISTANCES.
 - 6-(R) INDICATES RADIAL LINE
 - 7-SURVEY CORNERS HAVE BEEN FOUND AT ALL POINTS MARKED "●" AND ARE DESCRIBED IN THE NOTED LIBER AND PAGE.
 - 8-MONUMENTS CONSISTING OF STEEL RODS ONE HALF INCH IN DIAMETER AND 36 INCHES IN LENGTH, ENCASED IN CONCRETE CYLINDERS FOUR INCHES IN DIAMETER AND 36 INCHES IN LENGTH, HAVE BEEN FOUND FOR SILVERWOOD PARK, L. 23, P. 28 AND 29, HAVE BEEN MARKED WITH "o".



CURVE DATA						
CURVE	RADIUS	LENGTH	TANGENT	CHORD	BEARING	DELTA
1	60.00'	9.51'	4.77'	9.50'	S.52°-05'-22"E.	09°-05'-10"
2	60.00'	87.61'	53.70'	80.03'	N.05°-36'-35"W.	83°-39'-30"
3	60.00'	56.21'	30.36'	54.17'	N.63°-03'-23"E.	53°-40'-25"
4	60.00'	56.21'	30.36'	54.17'	N.63°-16'-12"W.	53°-40'-25"
5	60.00'	97.37'	63.20'	87.03'	N.10°-03'-19"E.	92°-58'-36"

CERTIFIED TRUE COPY OF RECORDED PLAT (BY DEPARTMENT OF COMMERCE)
By *Maynard R. Dyer*
Maynard R. Dyer, P.S.
Manager
Subdivision Control Unit
Date 11/21/95