

THE OASIS SUBDIVISION

PART OF THE EAST 1/2 OF THE SOUTHWEST 1/4
OF THE SOUTHWEST 1/4 OF SECTION 20, T.12N., R.4E.,
SAGINAW TOWNSHIP, SAGINAW COUNTY, MICHIGAN

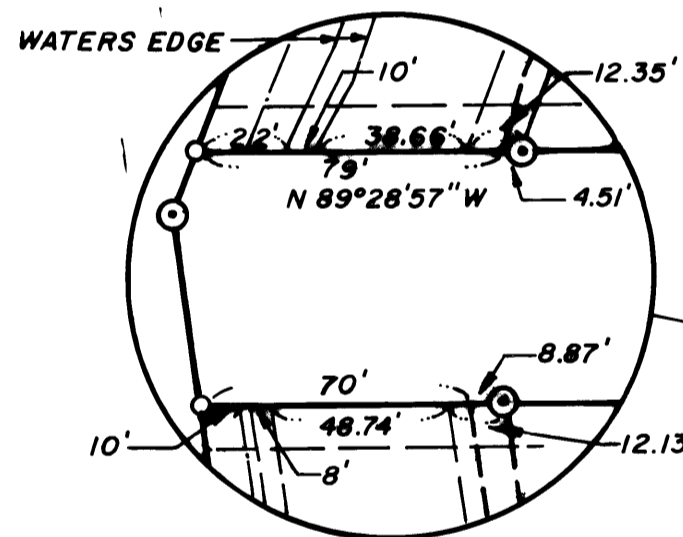
BENCHMARK

BOLT ON FIRE HYDRANT AT THE END OF DUNROVIN DRIVE
AND THE WEST LINE OF CHIPPEWA PLACE #2 EL. 603.75
N.G.V.D. DATUM.

THIS PLAT IS SUBJECT TO RESTRICTIONS AS REQUIRED
BY ACT 288 OF 1967, AS AMENDED ON CERTAIN LOTS
WITH RESPECT TO THE REQUIREMENTS OF THE MICHIGAN
DEPARTMENT OF NATURAL RESOURCES WHICH ARE REC-
CORDED IN LIBER 155, PAGE 147 OF THIS COUNTY.

AND/OR THE MICHIGAN
DEPARTMENT OF PUBLIC
HEALTH,

FLOOD PLAIN CONTOUR AS ESTABLISHED
BY THE DEPARTMENT OF NATURAL RESOURCES
ELEVATION 599.4 N.G.V.D. DATUM.



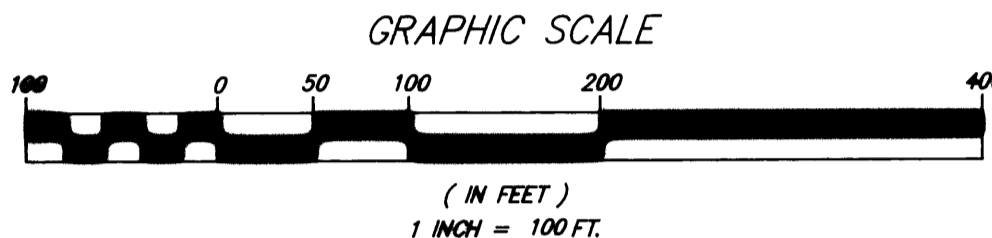
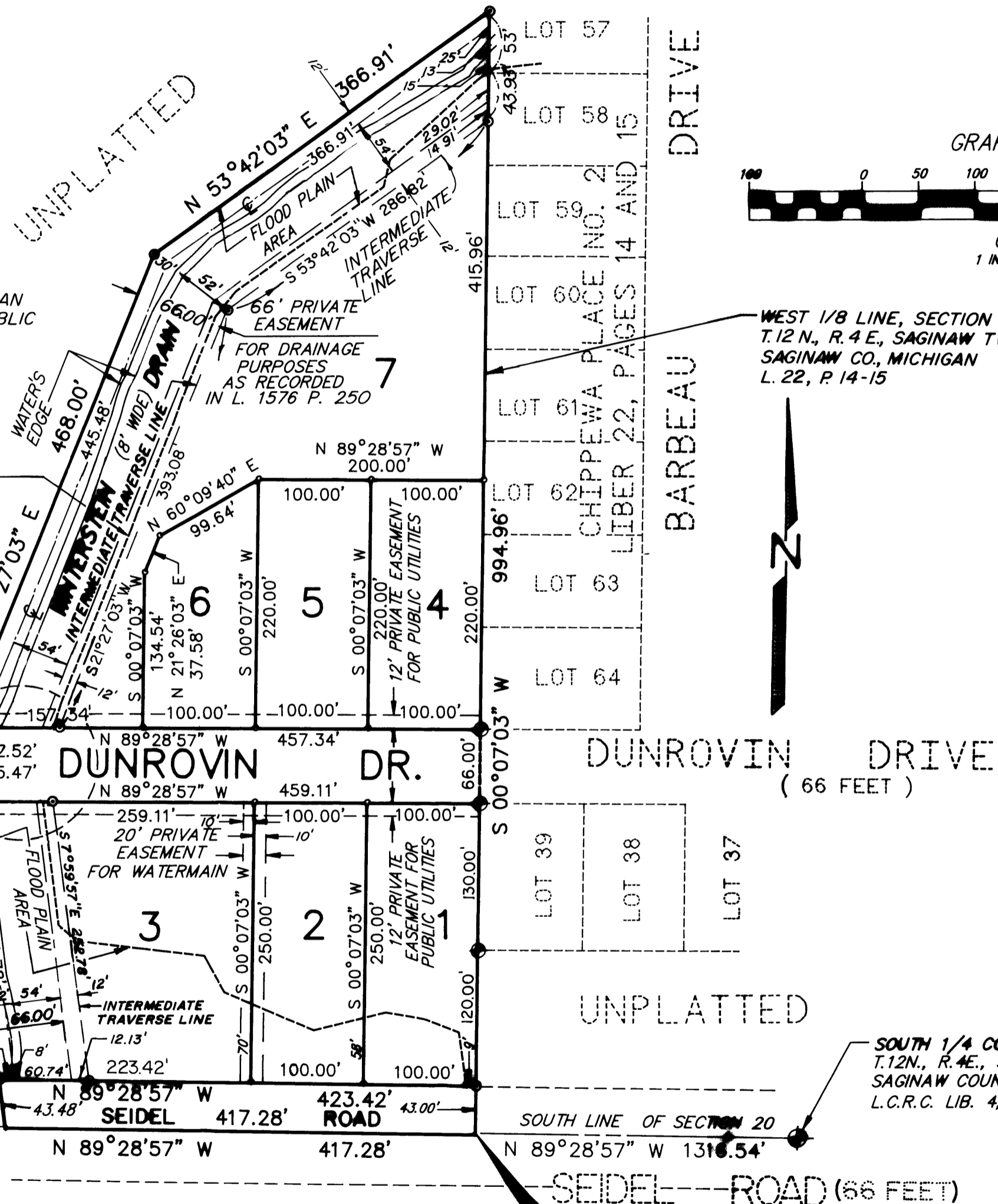
DETAIL

66' PRIVATE EASEMENT
FOR DRAINAGE PURPOSES AS
RECORDED IN L. 1576,
P. 250.

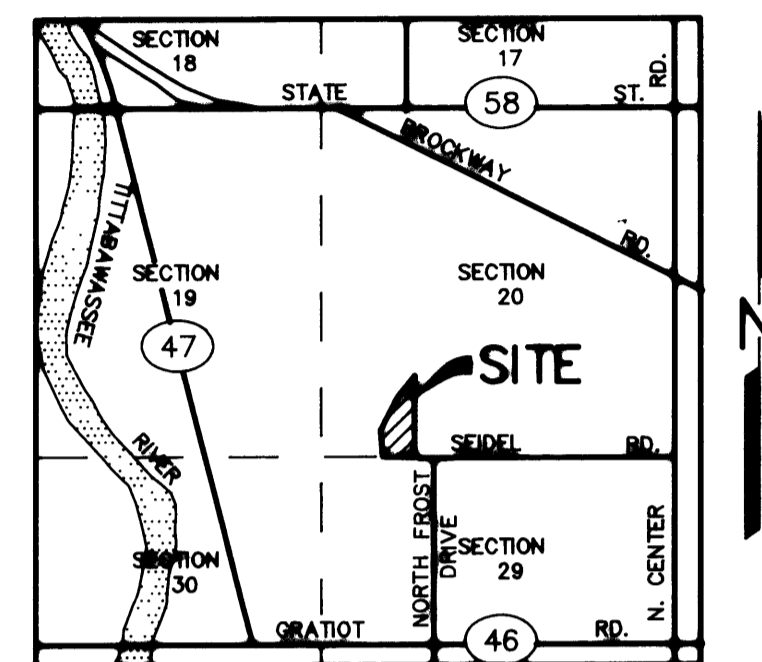
SOUTHWEST CORNER, SECTION 20
T.12N., R.4E., SAGINAW TWP.,
SAGINAW COUNTY, MICHIGAN
L.C.R.C. LIB. 4, PG. 202

CERTIFIED TRUE COPY OF
RECORDED PLAT
BY DEPARTMENT OF COMMERCE
By *Maynard R. Dyer*
Maynard R. Dyer, P.S.
Manager
Subdivision Control Unit

Date 2/13/96



WEST 1/8 LINE, SECTION 20
T.12N., R.4E., SAGINAW TWP.,
SAGINAW CO., MICHIGAN
L. 22, P. 14-15



LOCATION MAP

NO SCALE:

LEGEND

1. ALL DIMENSIONS ARE IN FEET.
2. CONCRETE MONUMENTS, 1/2" IRON BARS 36" LONG ENCASED IN 4" DIA. CONCRETE HAVE BEEN SET AT ALL POINTS MARKED THUS: \odot CONCRETE MONUMENTS WERE FOUND AT ALL POINTS MARKED THUS: \bullet
3. ALL LOT CORNERS HAVE BEEN MARKED WITH 1/2" IRON BARS 18" IN LENGTH MARKED THUS: \circ
4. BEARINGS AS SHOWN ARE REFERENCED TO THE RECORDED PLAT OF "CHIPPEWA PLACE NO. 2" LIBER 22 PAGES 14 & 15.

RECORDING CERTIFICATE

STATE OF MICHIGAN }
SAGINAW COUNTY }
THIS PLAT WAS RECEIVED FOR RECORD ON THE 10 DAY OF
Feb., 1996 AT 9:25 AM AND
RECORDED IN LIBER 27 OF PLATS ON PAGES 16 & 17

Mildred M. Dodak
MILDRED M. DODAK
REGISTER OF DEEDS

POINT OF BEGINNING
SOUTHEAST CORNER OF THE S.W. 1/4
OF THE S.W. 1/4 OF SECTION 20
T.12N., R.4E., SAGINAW TWP.
SAGINAW COUNTY, MICHIGAN



Duane F. Ledy
DUANE F. LEDY R.L.S. 21575

