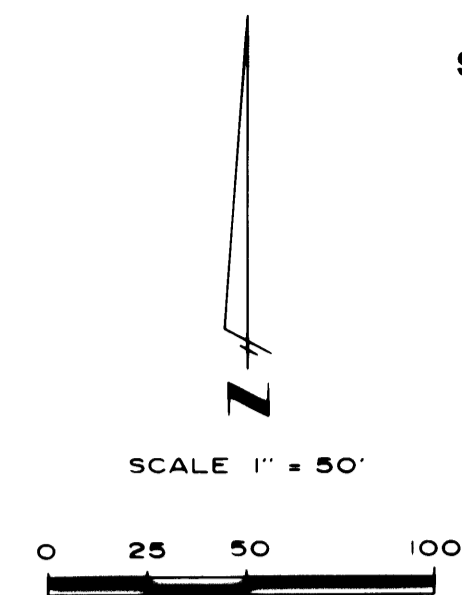
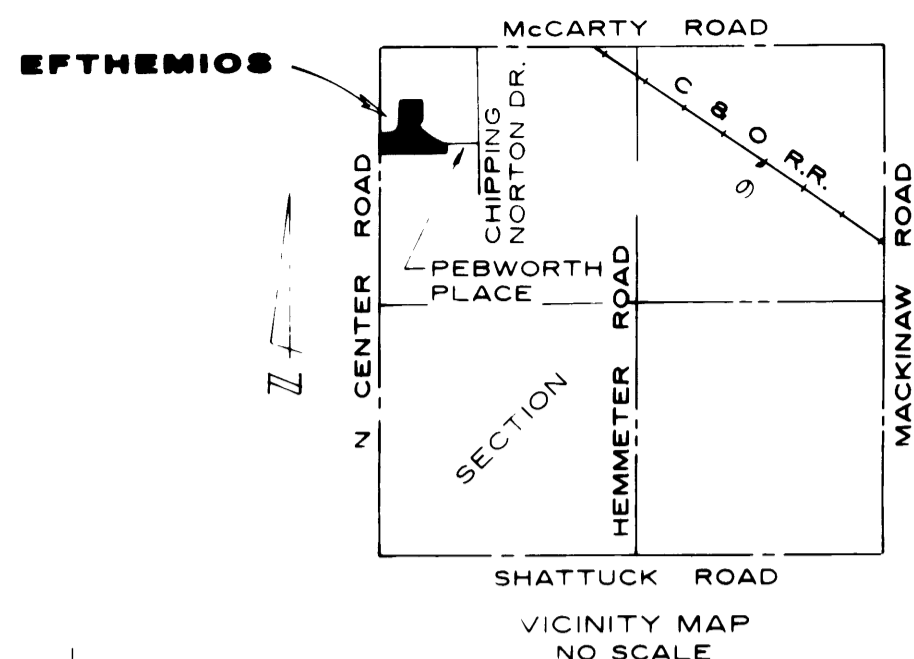


EFTHEMIOS

**PART OF THE NW 1/4, SECTION 9,
T. 12 N. - R. 4 E., SAGINAW TOWNSHIP,
SAGINAW COUNTY, MICHIGAN**



NW CORNER
SECTION 9,
T. 12 N. - R. 4 E.
LIBER 2, PAGE 6

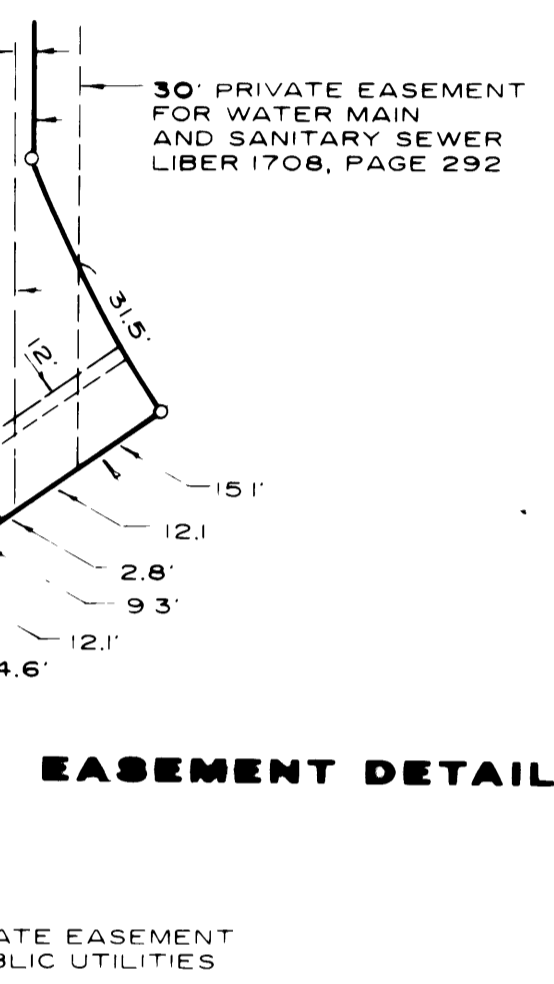
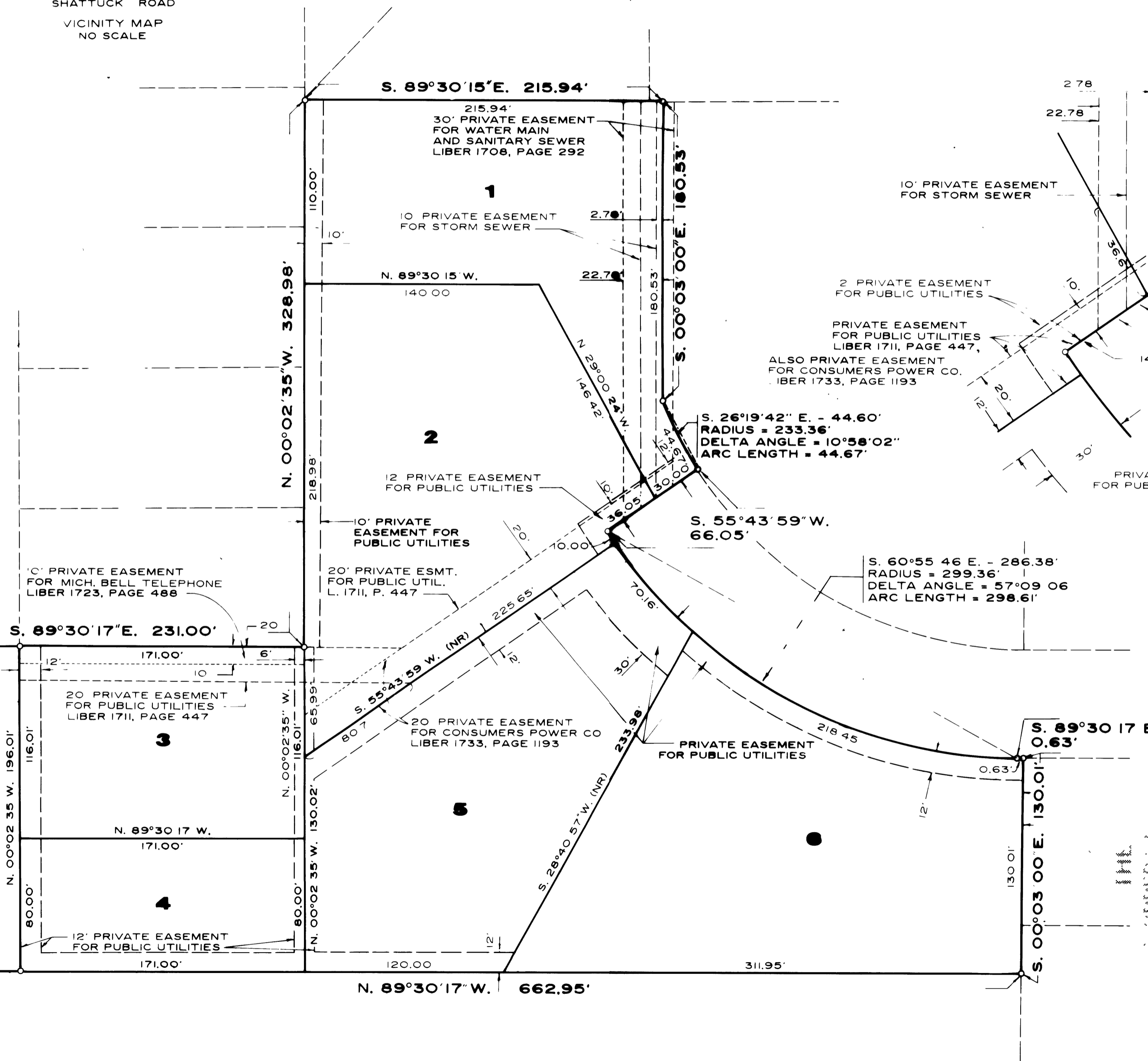
S. 00°02'35" E. 916.66'
WEST SECTION LINE

POINT OF BEGINNING

N. 00°02'35" W. 196.01'
N. CENTER ROAD

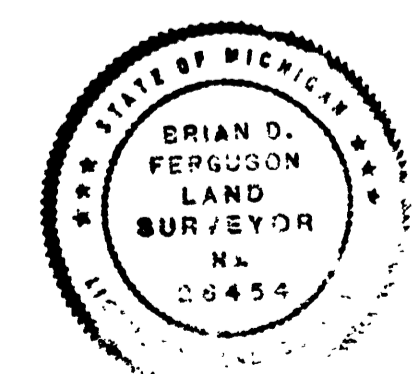
W 1/4 CORNER
SECTION 9,
T. 12 N. - R. 4 E.
LIBER 2, PAGE 6

S. 00°02'35" E.
1512.69'



LEGEND

- 1 ALL DIMENSIONS ARE GIVEN IN FEET
- 2 MONUMENTS, CONSISTING OF IRON RODS ONE HALF INCH IN DIAMETER AND 36 INCHES IN LENGTH WITH CAP NO. 26454, ENCASED IN CONCRETE CYLINDERS 4 INCHES IN DIAMETER AND 36 INCHES IN LENGTH, HAVE BEEN PLACED AT ALL POINTS SHOWN BY SYMBOL "O"
- 3 SET 1/2 INCH IRON ROD, 18 INCHES IN LENGTH, WITH CAP NO. 26454, AT ALL PROPERTY CORNERS
- 4 ALL CURVILINEAR MEASUREMENTS ARE ARC DISTANCES.
- 5 (NR) INDICATES NON-RADIAL LINE.
- 6 BEARING OF THE WEST LINE OF SECTION 9 WAS DERIVED FROM "BEVERLY HEIGHTS" RECORDED IN LIBER 20, PAGES 37 AND 38.
- 7 (R) INDICATES A RADIAL LINE



Brian D. Ferguson
Brian D. Ferguson, L.L.S.
Licensed Land Surveyor No. 26454